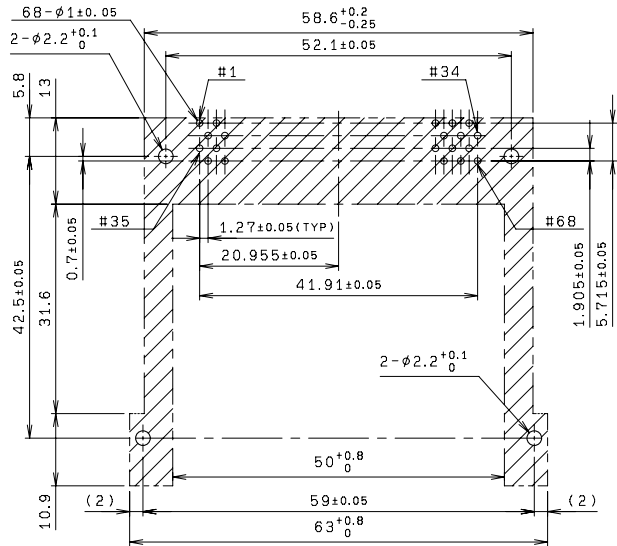
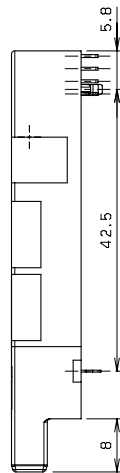
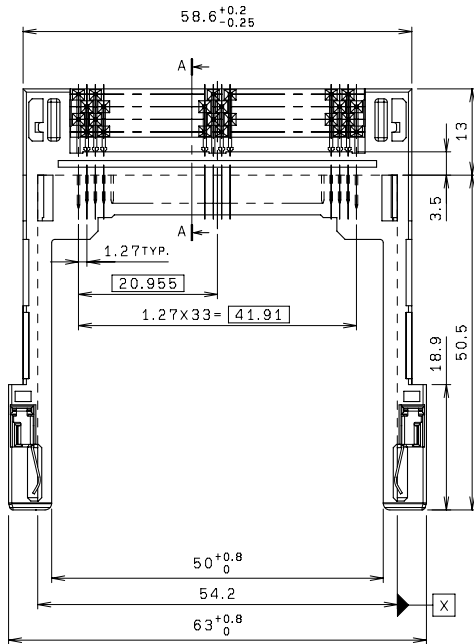
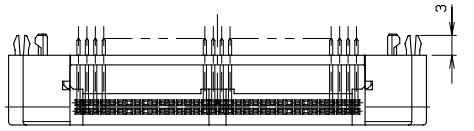


PCMCIA

SERIES

5028

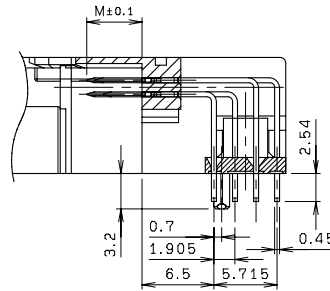
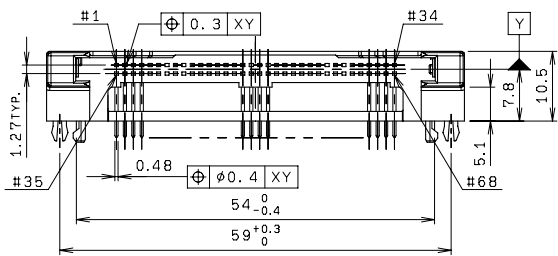
Stand off H=5.1mm



斜線部は、実装禁止領域

DO NOT MOUNT PARTS ON AREA.

RECOMMENDED PRINTED CIRCUIT LAYOUT



SECT. A-A

PIN NO.	M
1, 17, 34, 35, 51, 68	5.0
OTHERS	4.25
36, 67	3.5

RoHS 対応品
RoHS Compliant Product

注文コード ORDERING CODE
Connector 19 5028 068 531 899 +