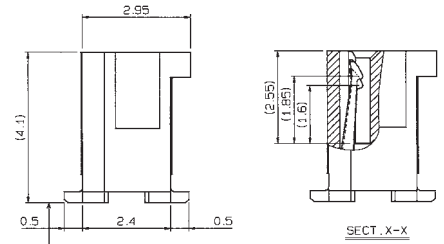
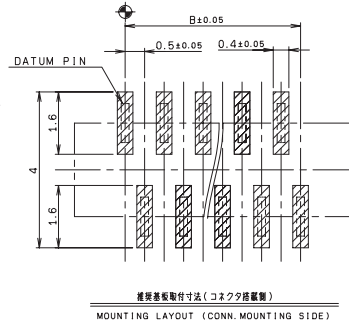
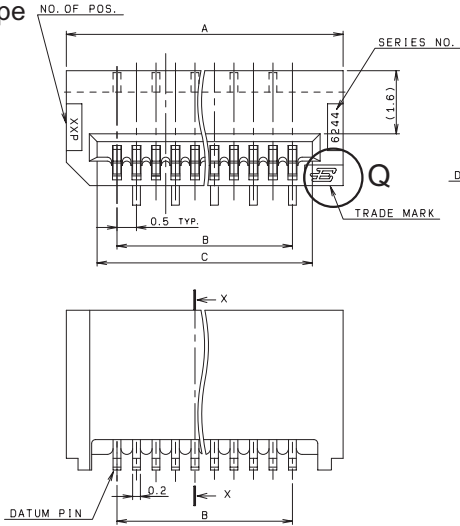


0.5mm Pitch
SERIES

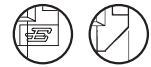
6244

0.5mmピッチ NON-ZIF ストレート SMT 片面接点
0.5mmPitch LIF Vertical SMT Single-sided contact

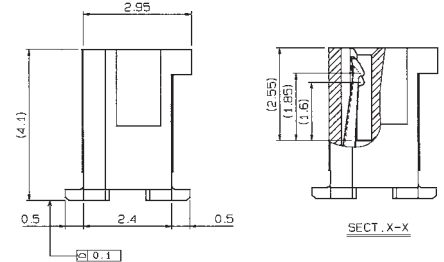
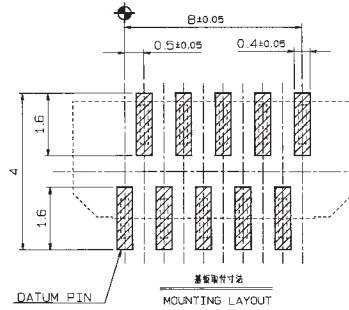
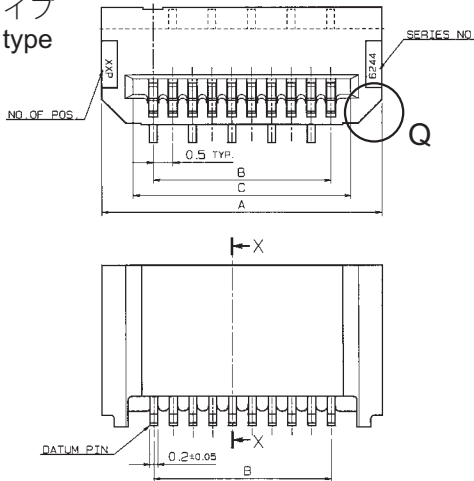
標準タイプ
Standard type



Q部詳細
DETAIL "Q"

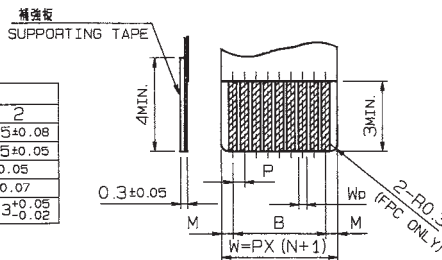


逆千鳥タイプ
Reverse type



| | FPC | | FFC | |
|----|--|-----------|---------------------------------------|---------------------------------------|
| | 1 | 2 | 1 | 2 |
| M | 0.5±0.12 | 0.5±0.1 | 0.5±0.1 | 0.5±0.08 |
| P | 0.5±0.02 | 0.5±0.05 | 0.5±0.03 | 0.5±0.05 |
| B | B±0.03 | B±0.05 | B±0.03 | B±0.05 |
| W | W±0.07 | W±0.07 | W±0.07 | W±0.07 |
| WD | 0.35 ^{+0.04} _{-0.03} | 0.35±0.05 | 0.3 ^{+0.05} _{-0.02} | 0.3 ^{+0.05} _{-0.02} |

適用FPC, FFC寸法
APPLICABLE FPC, FFC



| 極数 NO OF PCS. | A | B | C |
|---------------------|------|------|------|
| 6 | 5.1 | 2.5 | 3.6 |
| 7 | 5.6 | 3.0 | 4.1 |
| 8 | 6.1 | 3.5 | 4.6 |
| 9 | 6.6 | 4.0 | 5.1 |
| 10 | 7.1 | 4.5 | 5.6 |
| 11 | 7.6 | 5.0 | 6.1 |
| 12 | 8.1 | 5.5 | 6.6 |
| 13 | 8.6 | 6.0 | 7.1 |
| 14 | 9.1 | 6.5 | 7.6 |
| 15 | 9.6 | 7.0 | 8.1 |
| 16 | 10.1 | 7.5 | 8.6 |
| 17 | 10.6 | 8.0 | 9.1 |
| 18 | 11.1 | 8.5 | 9.6 |
| 19 | 11.6 | 9.0 | 10.1 |
| 20 | 12.1 | 9.5 | 10.6 |
| 21 | 12.6 | 10.0 | 11.1 |
| 22 | 13.1 | 10.5 | 11.6 |
| 23 | 13.6 | 11.0 | 12.1 |
| 24 | 14.1 | 11.5 | 12.6 |
| 25 | 14.6 | 12.0 | 13.1 |
| 26 | 15.1 | 12.5 | 13.6 |
| 27 | 15.6 | 13.0 | 14.1 |
| 28 | 16.1 | 13.5 | 14.6 |
| 29 | 16.6 | 14.0 | 15.1 |
| 30 | 17.1 | 14.5 | 15.6 |

注文コード ORDERING CODE

04 6244 4XX 0XX XXX+

RoHS 対応品

RoHS Compliant Product

800+ : スズ銅めっき Sn-Cu Plated
846+ : 金めっき Au Plated

0 : 標準タイプ Standard type

1 : 逆千鳥タイプ Reverse type

0 : Q部 片側C面タイプ "Q" One side chamfer type

1 : Q部 両側C面タイプ "Q" Both side chamfer type

極数 NUMBER OF POSITIONS

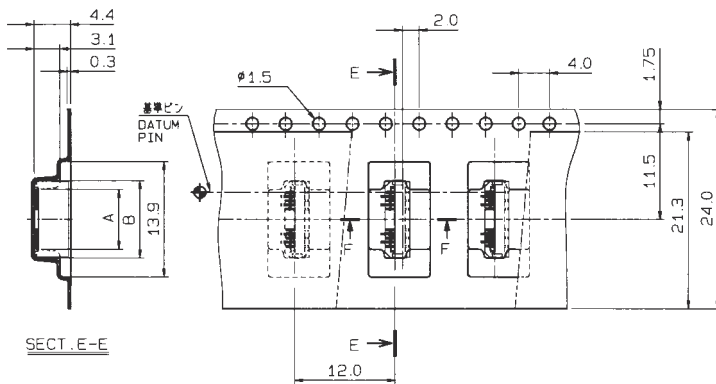
生産対応可能極数については、営業部に
ご確認ください。

Feel free to contact our sales department
for available numbers of positions.

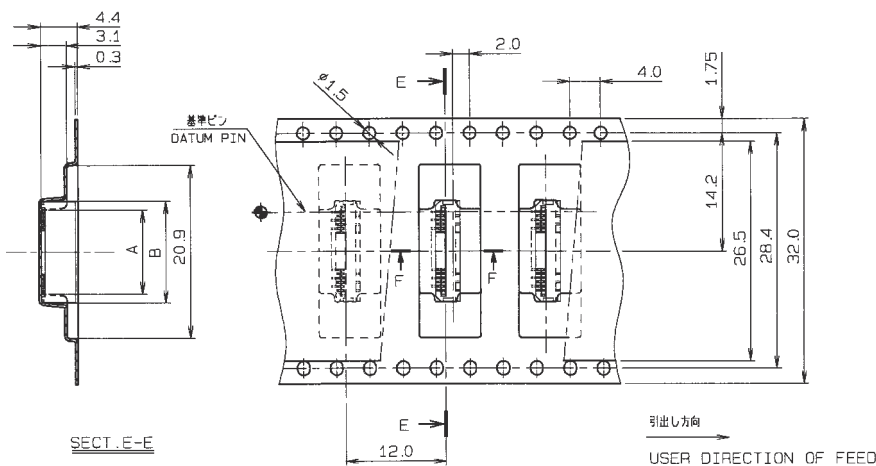
0.5mm Pitch
SERIES

6244

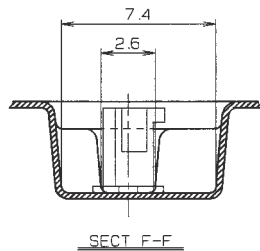
エンボス梱包品
Tape and Reel Package



| 極数 NO. OF POS | A | B |
|---------------------|-----|------|
| 6 | 3.2 | 5.3 |
| 7 | 3.7 | 5.8 |
| 8 | 4.2 | 6.3 |
| 9 | 4.7 | 6.8 |
| 10 | 5.2 | 7.3 |
| 11 | 5.7 | 7.8 |
| 12 | 6.2 | 8.3 |
| 13 | 6.7 | 8.8 |
| 14 | 7.2 | 9.3 |
| 15 | 7.7 | 9.8 |
| 16 | 8.2 | 10.3 |
| 17 | 8.7 | 10.8 |
| 18 | 9.2 | 11.3 |
| 19 | 9.7 | 11.8 |



| 極数 NO. OF POS | A | B |
|---------------------|------|------|
| 20 | 10.2 | 12.3 |
| 21 | 10.7 | 12.8 |
| 22 | 11.2 | 13.3 |
| 23 | 11.7 | 13.8 |
| 24 | 12.2 | 14.3 |
| 25 | 12.7 | 14.8 |
| 26 | 13.2 | 15.3 |
| 27 | 13.7 | 15.8 |
| 28 | 14.2 | 16.3 |
| 29 | 14.7 | 16.8 |
| 30 | 15.2 | 17.3 |



注文コード ORDERING CODE

04 6244 4XX 0XX XXX+

RoHS 対応品

RoHS Compliant Product

800+ : スズ銅めっき Sn-Cu Plated
846+ : 金めっき Au Plated

0 : 標準タイプ Standard type
1 : 逆千鳥タイプ Reverse type

0 : Q部 片側C面タイプ "Q" One side chamfer type
1 : Q部 両面C面タイプ "Q" Both side chamfer type

極数 NUMBER OF POSITIONS

生産対応可能極数については、営業部にご確認願います。

Feel free to contact our sales department for available numbers of positions.

梱包数量 1500個/リール
PACKING QUANTITY 1500/Reel