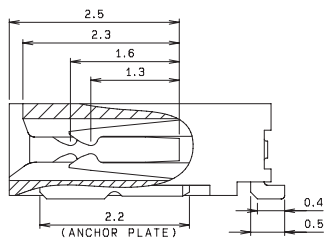
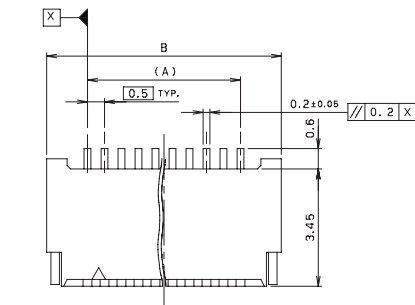


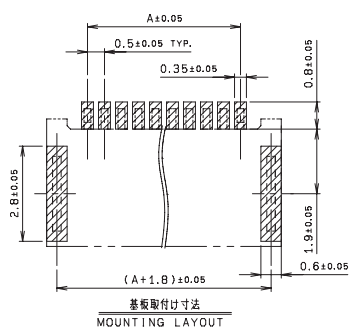
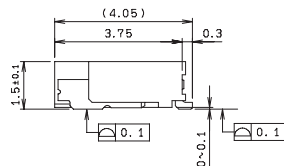
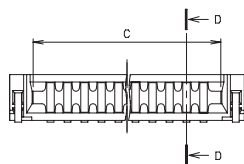
0.5mm Pitch
SERIES

6284

0.5mmピッチ Non-ZIF RA SMT 両面接点
0.5mmPitch LIF RA SMT Dual-sided contact

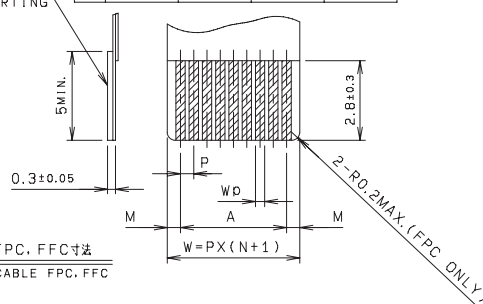


SECT. D-D

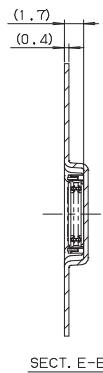
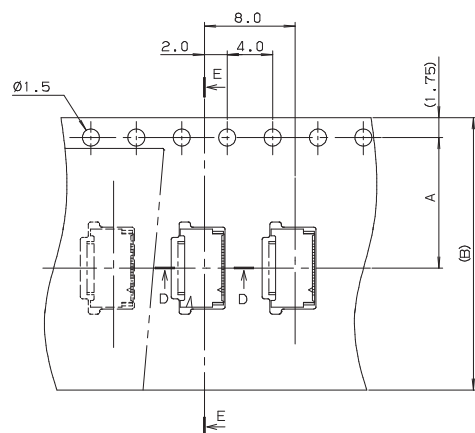


| | FPC | | FFC | |
|----|--|-----------|---------------------------------------|---------------------------------------|
| | 1 | 2 | 1 | 2 |
| M | 0.5±0.12 | 0.5±0.1 | 0.5±0.1 | 0.5±0.08 |
| P | 0.5±0.02 | 0.5±0.05 | 0.5±0.03 | 0.5±0.05 |
| A | A±0.03 | A±0.05 | A±0.03 | A±0.05 |
| W | W±0.07 | W±0.07 | W±0.07 | W±0.07 |
| WD | 0.35 ^{+0.04} _{-0.03} | 0.35±0.05 | 0.3 ^{+0.05} _{-0.02} | 0.3 ^{+0.05} _{-0.02} |

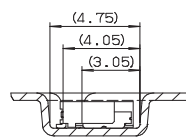
補強板
SUPPORTING
TAPE



適用FPC, FFC寸法
APPLICABLE FPC, FFC



SECT. E-E



SECT. D-D

| 極数 NO. OF POS. | A | B | C |
|-------------------|------|------|------|
| 5 | 2.0 | 4.4 | 3.1 |
| 6 | 2.5 | 4.9 | 3.6 |
| 7 | 3.0 | 5.4 | 4.1 |
| 8 | 3.5 | 5.9 | 4.6 |
| 9 | 4.0 | 6.4 | 5.1 |
| 10 | 4.5 | 6.9 | 5.6 |
| 11 | 5.0 | 7.4 | 6.1 |
| 12 | 5.5 | 7.9 | 6.6 |
| 13 | 6.0 | 8.4 | 7.1 |
| 14 | 6.5 | 8.9 | 7.6 |
| 15 | 7.0 | 9.4 | 8.1 |
| 16 | 7.5 | 9.9 | 8.6 |
| 17 | 8.0 | 10.4 | 9.1 |
| 18 | 8.5 | 10.9 | 9.6 |
| 19 | 9.0 | 11.4 | 10.1 |
| 20 | 9.5 | 11.9 | 10.6 |
| 21 | 10.0 | 12.4 | 11.1 |
| 22 | 10.5 | 12.9 | 11.6 |
| 23 | 11.0 | 13.4 | 12.1 |
| 24 | 11.5 | 13.9 | 12.6 |
| 25 | 12.0 | 14.4 | 13.1 |
| 26 | 12.5 | 14.9 | 13.6 |
| 27 | 13.0 | 15.4 | 14.1 |
| 28 | 13.5 | 15.9 | 14.6 |
| 29 | 14.0 | 16.4 | 15.1 |
| 30 | 14.5 | 16.9 | 15.6 |

| 極数 NO. OF POS. | A | B |
|-------------------|------|----|
| 5 | 7.5 | 16 |
| 6 | 7.5 | 16 |
| 7 | 7.5 | 16 |
| 8 | 7.5 | 16 |
| 9 | 11.5 | 24 |
| 10 | 11.5 | 24 |
| 11 | 11.5 | 24 |
| 12 | 11.5 | 24 |
| 13 | 11.5 | 24 |
| 14 | 11.5 | 24 |
| 15 | 11.5 | 24 |
| 16 | 11.5 | 24 |
| 17 | 11.5 | 24 |
| 18 | 11.5 | 24 |
| 19 | 11.5 | 24 |
| 20 | 11.5 | 24 |
| 21 | 11.5 | 24 |
| 22 | 11.5 | 24 |
| 23 | 11.5 | 24 |
| 24 | 11.5 | 24 |
| 25 | 14.2 | 32 |
| 26 | 14.2 | 32 |
| 27 | 14.2 | 32 |
| 28 | 14.2 | 32 |
| 29 | 14.2 | 32 |
| 30 | 14.2 | 32 |

生産対応可能極数については、営業部に確認願います。
Feel free to contact our sales department for available numbers of positions.

注文コード ORDERING CODE
04 6284 OXX 00X XXX+

RoHS 対応品
RoHS Compliant Product

800+ : スズ銅めっき Sn-Cu Plated
868+ : 金めっき Au Plated

1 : 5-10 Positions
2 : 11-30 Positions

極数 NUMBER OF POSITIONS

梱包数量 4000個/リール
PACKING QUANTITY : 4000/Reel