

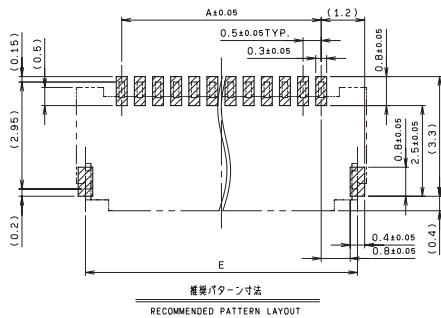
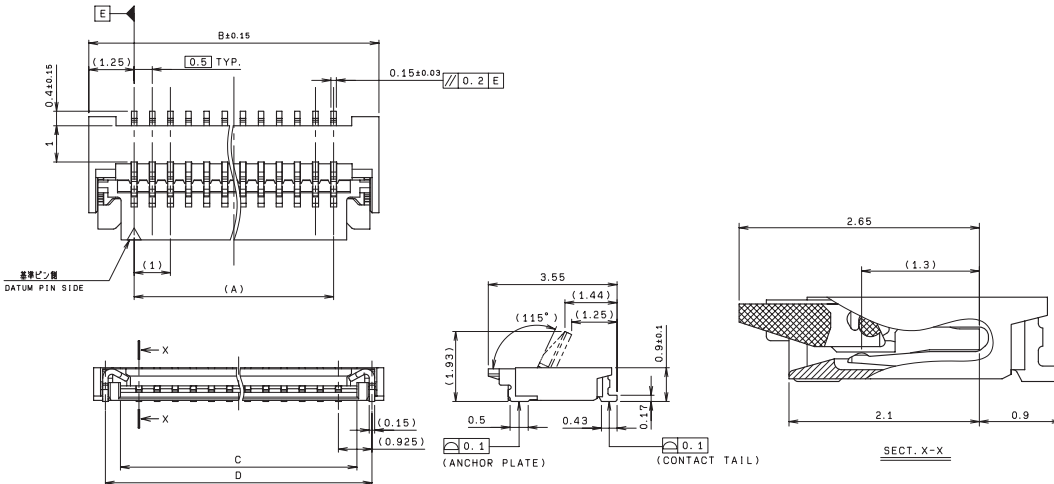
0.5mm Pitch  
SERIES

# 6299

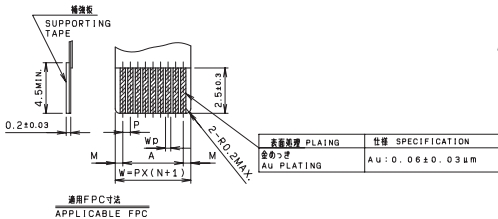
0.5mmピッチ RA SMT 下接点 ワンタッチロック  
0.5mmPitch RA SMT Bottom contact One-touch lock

●適用FPC厚 0.2mm

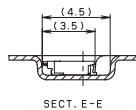
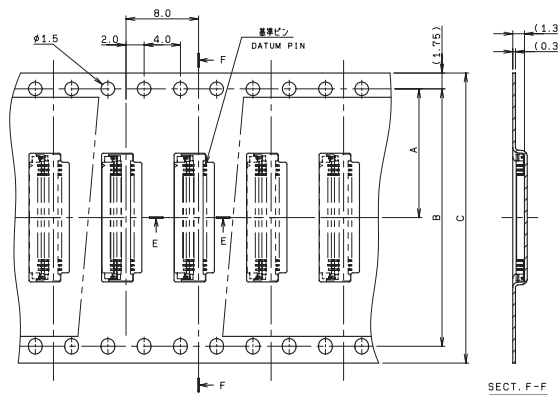
Applicable FPC thickness=0.2mm



	FPC	
	1	2
M	0.5±0.12	0.5±0.1
P	0.5±0.02	0.5±0.05
A	A±0.02	A±0.05
W	W±0.07	W±0.07
WD	0.35±0.04	0.35±0.05



基板処理 PLATING	仕様 SPECIFICATION
金めっき AU PLATING	Au: 0.06±0.03µm



極数 NO. OF POS.	A	B	C	D	E
5	2.0	4.5	3.06	3.85	4.0
6	2.5	5.0	3.56	4.35	4.5
7	3.0	5.5	4.06	4.85	5.0
8	3.5	6.0	4.56	5.35	5.5
9	4.0	6.5	5.06	5.85	6.0
10	4.5	7.0	5.56	6.35	6.5
11	5.0	7.5	6.06	6.85	7.0
12	5.5	8.0	6.56	7.35	7.5
13	6.0	8.5	7.06	7.85	8.0
14	6.5	9.0	7.56	8.35	8.5
15	7.0	9.5	8.06	8.85	9.0
16	7.5	10.0	8.56	9.35	9.5
17	8.0	10.5	9.06	9.85	10.0
18	8.5	11.0	9.56	10.35	10.5
19	9.0	11.5	10.06	10.85	11.0
20	9.5	12.0	10.56	11.35	11.5
21	10.0	12.5	11.06	11.85	12.0
22	10.5	13.0	11.56	12.35	12.5
23	11.0	13.5	12.06	12.85	13.0
24	11.5	14.0	12.56	13.35	13.5
25	12.0	14.5	13.06	13.85	14.0
26	12.5	15.0	13.56	14.35	14.5
27	13.0	15.5	14.06	14.85	15.0
28	13.5	16.0	14.56	15.35	15.5
29	14.0	16.5	15.06	15.85	16.0
30	14.5	17.0	15.56	16.35	16.5
31	15.0	17.5	16.06	16.85	17.0
32	15.5	18.0	16.56	17.35	17.5
33	16.0	18.5	17.06	17.85	18.0
34	16.5	19.0	17.56	18.35	18.5
35	17.0	19.5	18.06	18.85	19.0
36	17.5	20.0	18.56	19.35	19.5
37	18.0	20.5	19.06	19.85	20.0
38	18.5	21.0	19.56	20.35	20.5
39	19.0	21.5	20.06	20.85	21.0
40	19.5	22.0	20.56	21.35	21.5
41	20.0	22.5	21.06	21.85	22.0
42	20.5	23.0	21.56	22.35	22.5
43	21.0	23.5	22.06	22.85	23.0
44	21.5	24.0	22.56	23.35	23.5
45	22.0	24.5	23.06	23.85	24.0
46	22.5	25.0	23.56	24.35	24.5
47	23.0	25.5	24.06	24.85	25.0
48	23.5	26.0	24.56	25.35	25.5
49	24.0	26.5	25.06	25.85	26.0
50	24.5	27.0	25.56	26.35	26.5

極数 NO. OF POS.	A	B	C
5	7.5	—	16.0
6	7.5	—	16.0
7	7.5	—	16.0
8	7.5	—	16.0
9	7.5	—	16.0
10	7.5	—	16.0
11	7.5	—	16.0
12	7.5	—	16.0
13	11.5	—	16.0
14	11.5	—	16.0
15	11.5	—	16.0
16	11.5	—	24.0
17	11.5	—	24.0
18	11.5	—	24.0
19	11.5	—	24.0
20	11.5	—	24.0
21	11.5	—	24.0
22	11.5	—	24.0
23	11.5	—	24.0
24	11.5	—	24.0
25	11.5	—	24.0
26	11.5	—	24.0
27	11.5	—	24.0
28	11.5	—	24.0
29	14.2	—	24.0
30	14.2	—	24.0
31	14.2	28.4	32.0
32	14.2	28.4	32.0
33	14.2	28.4	32.0
34	14.2	28.4	32.0
35	14.2	28.4	32.0
36	14.2	28.4	32.0
37	14.2	28.4	32.0
38	14.2	28.4	32.0
39	20.2	40.4	44.0
40	20.2	40.4	44.0
41	20.2	40.4	44.0
42	20.2	40.4	44.0
43	20.2	40.4	44.0
44	20.2	40.4	44.0
45	20.2	40.4	44.0
46	20.2	40.4	44.0
47	20.2	40.4	44.0
48	20.2	40.4	44.0
49	20.2	40.4	44.0
50	20.2	40.4	44.0

注文コード ORDERING CODE

04 6299 9XX 010 883+

RoHS 対応品

RoHS Compliant Product

金めっき Au Plated

極数  
NUMBER OF POSITIONS

梱包数量 5000個/リール  
PACKING QUANTITY : 5000/Reel

生産対応可能極数については、営業部にご確認願います。  
Feel free to contact our sales department for available numbers of positions.

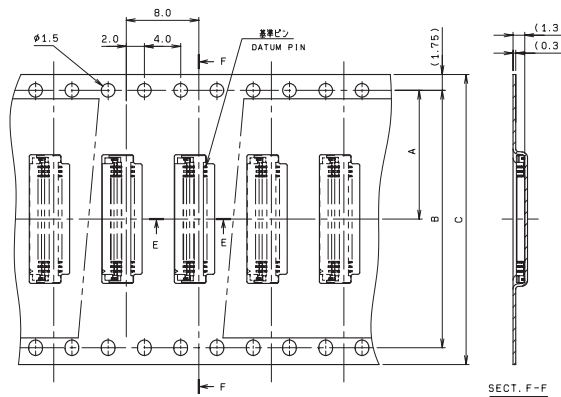
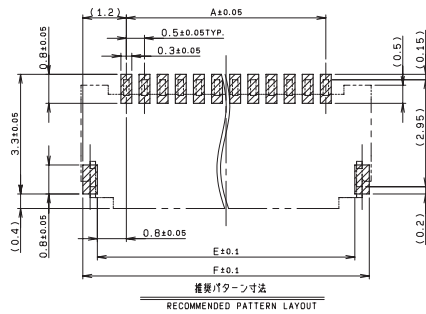
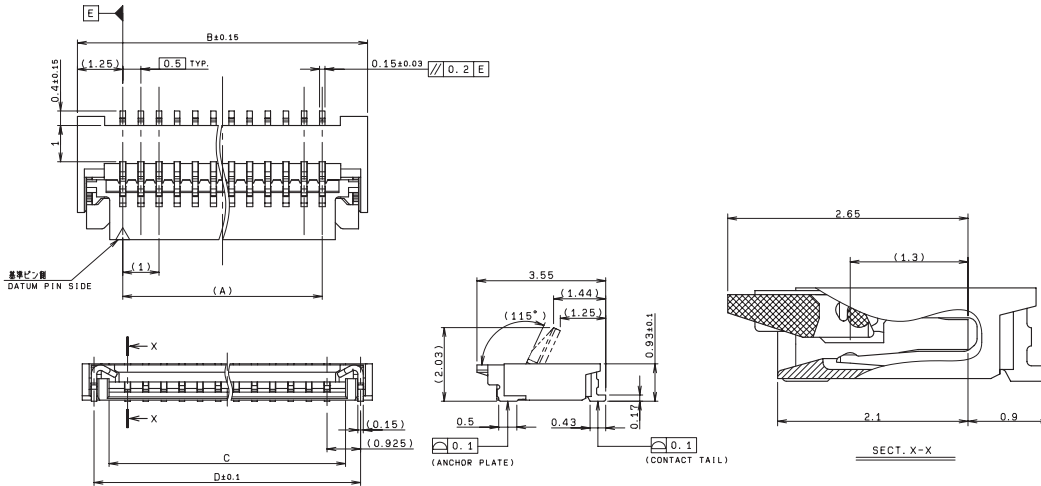
0.5mm Pitch  
SERIES

# 6299

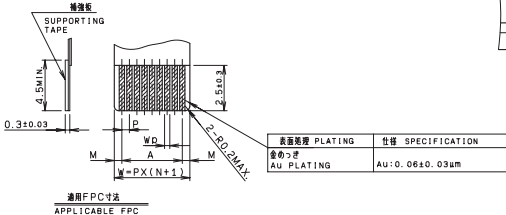
0.5mmピッチ RA SMT 下接点 ワンタッチロック  
0.5mmPitch RA SMT Bottom contact One-touch lock

●適用FPC厚 0.3mm

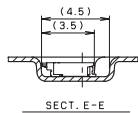
Applicable FPC thickness=0.3mm



FPC	
	2
M	0.5±0.12 0.5±0.1
P	0.5±0.02 0.5±0.06
A	A±0.02 A±0.05
W	W±0.07 W±0.07
WD	0.35±0.04 0.35±0.05



表面処理 PLATING	仕様 SPECIFICATION
金めっき Au PLATING	Au: 0.06±0.03µm



極数 NO. OF POS.	A	B	C	D	E	F
5	2.0	4.5	3.06	3.85	3.6	4.4
6	2.5	5.0	3.56	4.35	4.1	4.9
7	3.0	5.5	4.06	4.85	4.6	5.4
8	3.5	6.0	4.56	5.35	5.1	5.9
9	4.0	6.5	5.06	5.85	5.6	6.4
10	4.5	7.0	5.56	6.35	6.1	6.9
11	5.0	7.5	6.06	6.85	6.6	7.4
12	5.5	8.0	6.56	7.35	7.1	7.9
13	6.0	8.5	7.06	7.85	7.6	8.4
14	6.5	9.0	7.56	8.35	8.1	8.9
15	7.0	9.5	8.06	8.85	8.6	9.4
16	7.5	10.0	8.56	9.35	9.1	9.9
17	8.0	10.5	9.06	9.85	9.6	10.4
18	8.5	11.0	9.56	10.35	10.1	10.9
19	9.0	11.5	10.06	10.85	10.6	11.4
20	9.5	12.0	10.56	11.35	11.1	11.9
21	10.0	12.5	11.06	11.85	11.6	12.4
22	10.5	13.0	11.56	12.35	12.1	12.9
23	11.0	13.5	12.06	12.85	12.6	13.4
24	11.5	14.0	12.56	13.35	13.1	13.9
25	12.0	14.5	13.06	13.85	13.6	14.4
26	12.5	15.0	13.56	14.35	14.1	14.9
27	13.0	15.5	14.06	14.85	14.6	15.4
28	13.5	16.0	14.56	15.35	15.1	15.9
29	14.0	16.5	15.06	15.85	15.6	16.4
30	14.5	17.0	15.56	16.35	16.1	16.9
31	15.0	17.5	16.06	16.85	16.6	17.4
32	15.5	18.0	16.56	17.35	17.1	17.9
33	16.0	18.5	17.06	17.85	17.6	18.4
34	16.5	19.0	17.56	18.35	18.1	18.9
35	17.0	19.5	18.06	18.85	18.6	19.4
36	17.5	20.0	18.56	19.35	19.1	19.9
37	18.0	20.5	19.06	19.85	19.6	20.4
38	18.5	21.0	19.56	20.35	20.1	20.9
39	19.0	21.5	20.06	20.85	20.6	21.4
40	19.5	22.0	20.56	21.35	21.1	21.9
41	20.0	22.5	21.06	21.85	21.6	22.4
42	20.5	23.0	21.56	22.35	22.1	22.9
43	21.0	23.5	22.06	22.85	22.6	23.4
44	21.5	24.0	22.56	23.35	23.1	23.9
45	22.0	24.5	23.06	23.85	23.6	24.4
46	22.5	25.0	23.56	24.35	24.1	24.9
47	23.0	25.5	24.06	24.85	24.6	25.4
48	23.5	26.0	24.56	25.35	25.1	25.9
49	24.0	26.5	25.06	25.85	25.6	26.4
50	24.5	27.0	25.56	26.35	26.1	26.9

極数 NO. OF POS.	A	B	C
5	7.5	—	16.0
6	7.5	—	16.0
7	7.5	—	16.0
8	7.5	—	16.0
9	7.5	—	16.0
10	7.5	—	16.0
11	7.5	—	16.0
12	7.5	—	16.0
13	11.5	—	16.0
14	11.5	—	16.0
15	11.5	—	16.0
16	11.5	—	24.0
17	11.5	—	24.0
18	11.5	—	24.0
19	11.5	—	24.0
20	11.5	—	24.0
21	11.5	—	24.0
22	11.5	—	24.0
23	11.5	—	24.0
24	11.5	—	24.0
25	11.5	—	24.0
26	11.5	—	24.0
27	11.5	—	24.0
28	11.5	—	24.0
29	14.2	—	24.0
30	14.2	—	24.0
31	14.2	28.4	32.0
32	14.2	28.4	32.0
33	14.2	28.4	32.0
34	14.2	28.4	32.0
35	14.2	28.4	32.0
36	14.2	28.4	32.0
37	14.2	28.4	32.0
38	14.2	28.4	32.0
39	20.2	40.4	44.0
40	20.2	40.4	44.0
41	20.2	40.4	44.0
42	20.2	40.4	44.0
43	20.2	40.4	44.0
44	20.2	40.4	44.0
45	20.2	40.4	44.0
46	20.2	40.4	44.0
47	20.2	40.4	44.0
48	20.2	40.4	44.0
49	20.2	40.4	44.0
50	20.2	40.4	44.0

注文コード ORDERING CODE

04 6299 OXX 020 829+

RoHS 対応品

RoHS Compliant Product

金めつき Au Plated

極数  
NUMBER OF POSITIONS

梱包数量 5000個/リール  
PACKING QUANTITY : 5000 /Reel

生産対応可能極数については、営業部にご確認願います。  
Feel free to contact our sales department for available numbers of positions.