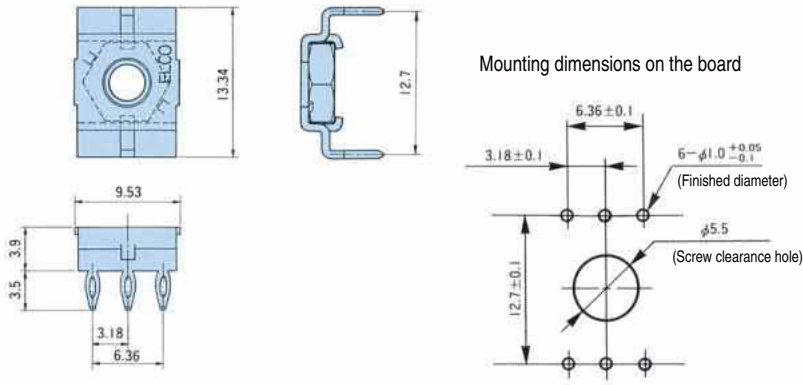
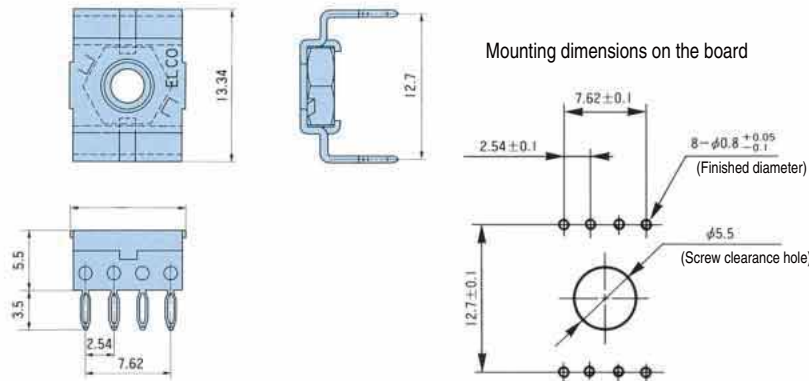


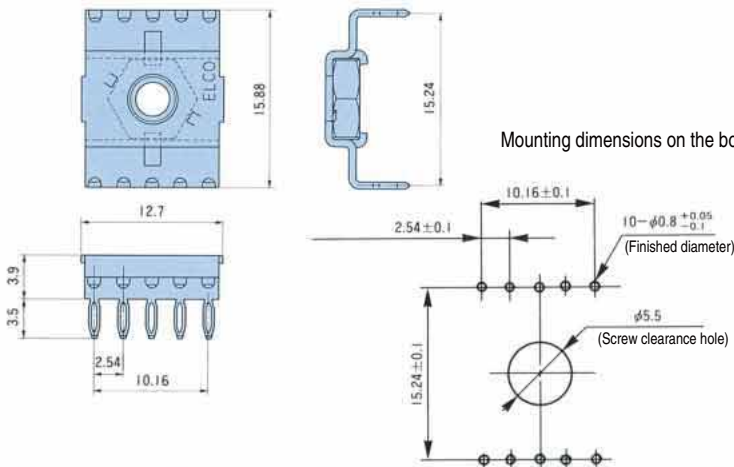
## 6 POSITIONS



## 8 POSITIONS

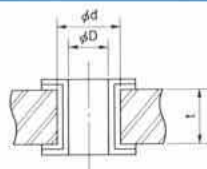


## 10 POSITIONS



### Applicable dimensions of through hole

No. of POSITIONS	Dia. of hole for contact (d) (mm)	Thickness of copper plating (μm)	Thickness of solder (μm)	Finished dia. (D) (mm)
6	$\phi 1.1 \pm 0.025$	$30 \pm 5$	7.6~30	$\phi 1.0 \pm 0.05$
8	$\phi 0.9 \pm 0.025$	$30 \pm 5$	7.6~30	$\phi 0.8 \pm 0.05$
10	$\phi 0.9 \pm 0.025$	$30 \pm 5$	7.6~30	$\phi 0.8 \pm 0.05$



# SERIES 9069

## POWER INSERT



### Features

- The press-fit terminal block developed in respond to the high density requirement for electronic equipment, which is suitable for supplying the power to each unit in an equipment especially to printed circuit boards.
- Contacts are press-fitted.
- Hardly affected by heat, that is normally found in a soldered type terminal block.

### Specifications

- Rated current: 18A max. for 6-positions one  
24A max. for 10-positions one
- Contact material: Copper alloy
- Contact plating: Nickel undercoated, Solder finish
- Applicable PCB thickness:  
 $t=2.4 \pm 0.15$ mm or more
- Screw to fix: M4
- Insertion force  
For 6-positions: 120kg or less  
For 8-positions: 160kg or less  
For 10-positions: 210kg or less
- Retention force  
For 6-positions: 21kg or more  
For 8-positions: 38kg or more  
For 10-positions: 48kg or more
- Screw torque: 15kg/cm max.

### Ordering code

Part number	60	9069	90X7	0X	800
-------------	----	------	------	----	-----

### Pitch of coantacts

- 0: 2.54mm (8, 10-positions)
- 5: 3.18mm (6-positions)

### No. of positions

6, 8, 10

### Code for plating

800: Nickel undercoat, Solder finish